



6-IN-1 SPY WATCH™

Complete multi-tool watch for spies™

Ages 6 and Up
10501
Requires One
(CR2016) button-cell
battery, included

Important: Please save this instruction sheet. It contains valuable product information.

TO SET NORMAL TIME, DATE, ALARM, & 24-HOUR DISPLAY

1. (Figure 1) Press the <A> MODE button three (3) times to enter setup mode. The Seconds mode will flash.
2. Press the <C> START button to reset Seconds to zero (0)
3. Then Press RESET button to cycle through each of the settings (Seconds, Hours, Minutes, Month, Day, Week, 12/24 hour Display)
4. For each setting, when it flashes, Press the <C> START button to increase the value.
5. When finished setting the Normal time Press MODE <A>: to save and exit the Time setting mode.

TO USE THE STOPWATCH

1. When in the Normal Time Mode, Press <A> MODE button one (1) time. The ST Symbol will appear in top corner
2. Press <C> START to start/ stop the timer.
3. When time is stopped, press RESET to reset time to zero.
4. When time is still running, press RESET to get SPLIT time.
5. Press <C> START to stop the timer then Press RESET to view SPLIT Time and TOTAL time

TO SET DAILY ALARM

1. When in the Normal Time Mode, Press <A> MODE button twice (2) times. The AL Symbol will appear in top corner.
2. Press RESET button to cycle through each setting (Hours & Minutes)
3. For each setting, when it flashes, Press the <C> START button to increase the value.
4. When finished setting the Daily Alarm Press MODE <A>: to save and exit the setting mode.

TO USE THE DAILY ALARM

1. You can check to see if the Daily Alarm is set by looking for the Δ symbol on the top right corner of the Normal Time Display.
2. When Daily Alarm Sounds press any button to silence the Alarm
3. To activate/deactivate the Daily Alarm, Press <A> MODE button twice (2) times). The AL Symbol will appear in top corner. Then Press the <C> START button to toggle Alarm on or off. (the Δ symbol indicates it is on)

TO USE THE LED LIGHT

1. Press the LIGHT BUTTON (D) to activate the night vision spotlight

TO USE SAFE-DROP MESSAGE CAPSULES

1. Hide tiny messages inside the capsule, then hide them for you or your friends to find later!

TO USE THE SPY TELESCOPE

1. Flip up the SpyX Watch Face to reveal the Spy Telescope! (Figure 2)
2. With your finger press down on the ridge of the Telescope Lens to tilt up the lens. (do it for both lenses)
3. Lens B remains in place while Lens A can slide in and out. (Figure 3)
4. To magnify objects far-away. Look at the object through both Lens A and Lens B (HINT: Slide Lens A in and out to adjust the focus)
5. For close-up Magnification use only Lens B close to the Object you want to magnify
6. When you are done using the Telescope make sure to slide Lens A all the way back in and push both lenses back into the recessed space.

Figure 1

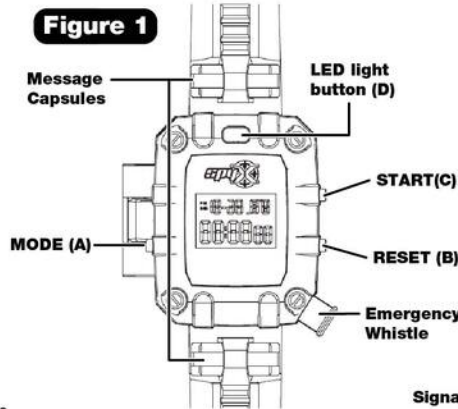


Figure 2

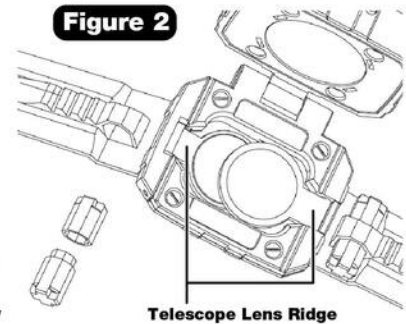
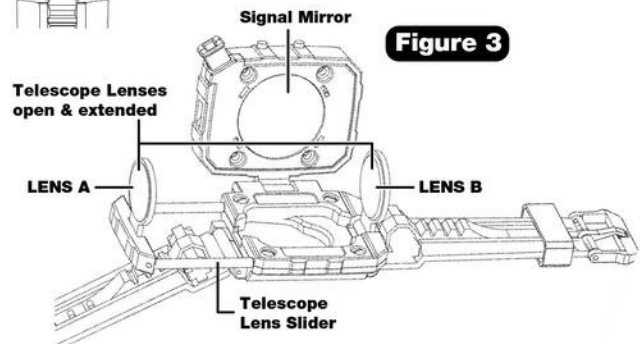


Figure 3



ATTENTION ADULTS-TO REPLACE BATTERIES

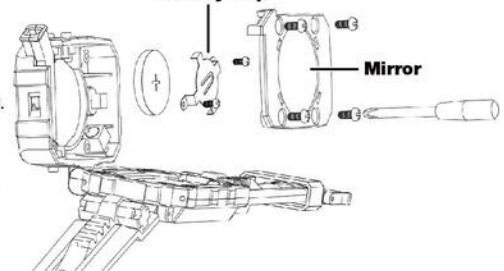
The SpyX 6-in-1 Watch requires 1 (CR2016) 3V lithium button-cell, included.

1. Tilt up the watch face to reveal the Signal Mirror. (Figure 4) Loosen the 4 Philips-head screws on the Mirror Cover and remove.
2. Loosen the 2 SCREWS on the BATTERY CLIP Cover. Remove the battery and the clip together. REMEMBER which screws go in each cover
3. Unclip old battery. Install new battery with the + (positive) side up
4. Replace and screw the battery and clip assembly back into position.
5. Replace the Mirror Cover with the 4 screws. Be careful not to tighten it too much or you may damage it.

BATTERY SAFETY INFORMATION:

- Only adults should install and replace batteries. Do not recharge non-rechargeable batteries.
- Remove dead or exhausted batteries.
- Insert batteries correctly. Match positive and negative signs.
- The supply terminals are not to be short circuited.
- Do not use rechargeable batteries.
- Do not mix alkaline, standard (carbon-zinc), or rechargeable (nickel-cadmium) batteries.
- Do not mix old and new batteries.
- Only the batteries of the same or equivalent type recommended to be used.
- Do not dispose of batteries in a fire; they may explode. Dispose of batteries safely.

Battery Clip



IF YOU HAVE ANY QUESTIONS, PLEASE CONTACT US AT www.atomicmonkeyproducts.com/help

⚠ WARNING:

This product contains a coin battery. A coin battery can cause serious internal chemical burns if swallowed.

⚠ WARNING:

Dispose of used batteries immediately. Keep new and used batteries away from children. If you think batteries might have been swallowed or placed inside any part of the body, seek immediate medical attention.

⚠ WARNING:

Changes or modifications to these units not expressly approved by the party responsible for compliance could void the user's authority to operate the equipment.

© 2020 Atomic Monkey Products, Ltd. Hong Kong, China. All rights reserved. PRINTED IN CHINA

Product specifications subject to change.

6-IN-1 SPY WATCH 10501-IS-US

⚠ WARNING:
CHOKING HAZARD - Small parts.
Not for children under 3 years.