



DIY LISTENER™

Listen in on secret conversations!

Important: Please save this instruction sheet. It contains valuable product information.

SpyX DIY kits let you build your own real-working SpyX gadget. Each DIY kit uses Component Blocks that plug into the platform base to build the different electronic SpyX gadget.

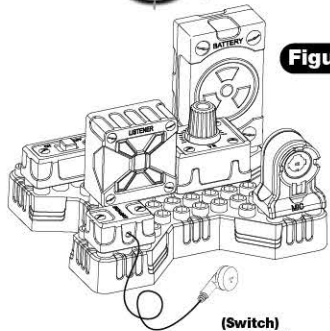


Figure 1

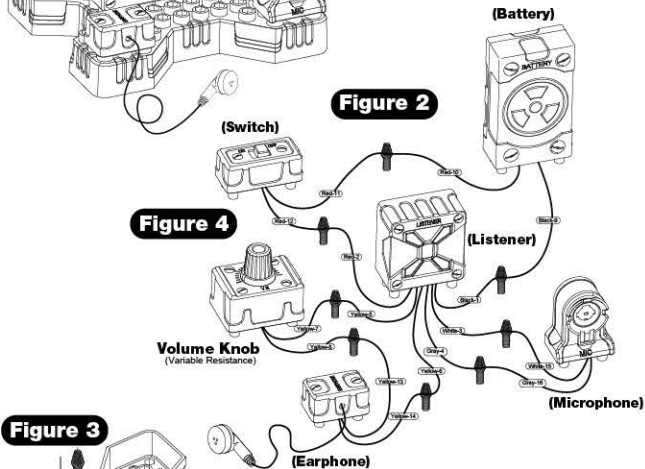


Figure 2

Figure 4

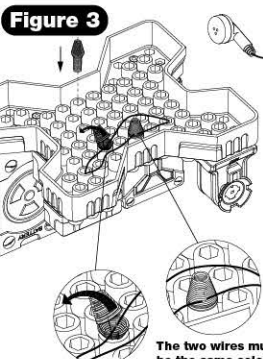


Figure 3

The two wires must be the same color
Bend the spring and insert the wire

10748 Wire list			
Item No	Components	Wire	Number
1	Listener	Black	1
		Red	2
		White	3
		Gray	4
		Yellow	5
		Yellow	6
2	Variable Resistance	Yellow	7
		Yellow	8
		Yellow	8
3	Battery	Black	9
		Red	10
4	Switch	Red	11
		Red	12
5	Earphone	Yellow	13
		Yellow	14
6	Microphone	White	15
		Gray	16

Each Component block has a function: there are Battery blocks, Speaker blocks, Switch blocks, etc. These blocks have names on them so that you can easily identify them. The circuit you will build for each SpyX gadget is shown below in **(Figure 2)** and also shows what the finished SpyX gadget looks when assembled onto the base. **(Figure 1)**

To build each SpyX gadget you have a power source (Battery block) that needs three (3) "AAA" batteries (not included with the DIY kit). A platform base is included with this DIY Kit. You will see evenly spaced holes that the different blocks plug into. Next to each Component block in the wire list is the Wire Color and Number. Only these wires are to be used in the assembly and connection of the blocks

Assembly: Plug each Block into the base as shown in **Figure 1**. The wires connected to each Block should be fed down into the hole first and then the Block gently pushed down securely into the hole. Make sure the wires are free of pinches against the side of the hole.

Place the Included Metal Springs on the bottom-side of the Base platform into any available hole. See **Figure 3**

Once all the springs are in place you can now connect the wires from each block as shown in **Figure 2**.

Note that the wires connect to the Spring as shown in **Figure 3**. Bend the spring slightly to allow the metal end of the wire to be inserted into the coils of the spring. When you release the spring, the wire will be gripped by the spring and the electric connection is made.

Product specifications subject to change.
DIY LISTENER 10748-IS-US



WARNING: Dispose of used batteries immediately. Keep new and used batteries away from children. If you think batteries might have been swallowed or placed inside any part of the body, seek immediate medical attention.

WARNING: Changes or modifications to these units not expressly approved by the party responsible for compliance could void the user's authority to operate the equipment.

© 2019 Atomic Monkey Products, Ltd. Hong Kong, China All rights reserved. PRINTED IN CHINA

The Science Behind SpyX DIY Gadgets

The Batteries: produce an electrical voltage using a chemical reaction.

The Switch: connects (ON) or disconnects (OFF) the electrical current flow from the batteries to the electronic circuit.

Variable Resistors: "resist" the flow of electrical current and are used to limit the current in a circuit. In the Listener & Motion Alarm gadgets It can be used to control the output sound volume. In the Voice Disguiser gadget, it selects different speeds of output sound by varying the input oscillating frequency of IC built inside the voice unit.

Microphone: is a transducer that converts sound into an electrical signal.

Sensor: a light sensor that can detect the varying of light intensity in front of it. (movement of object)

The Speaker: converts electricity into sound. You "hear" sound when your ears feel these air pressure variations.

Integrated Circuits: Electronic components can be super-miniaturized. These "integrated circuits" (ICs) are used in everything from simple electronics to advanced computers. The Disguiser, Motion alarm and Listener Blocks all contain specialized ICs and other supporting components (resistors, capacitors, and transistors) that are needed to make the gadget really work!

WARNING: Only connect the Component Blocks using configurations as shown in the Instructions. Only Connect 2 wires that are the same color into one Spring, incorrectly doing so may damage them.

Do Not place the Microphone and Speaker face to face, as this will generate a loud feedback echo sound and should be avoided.

Atomic Monkey Products is not responsible for parts damaged due to incorrect wiring assembly ALWAYS disconnect your batteries immediately and check your wiring if something appears to be getting hot.

ALWAYS check your wiring before turning on a circuit. ALWAYS connect Blocks using configurations given in the projects or as per the connection descriptions for the parts.

NEVER connect to an electrical outlet in your home in any way.

Troubleshooting:

1. Most circuit problems are due to incorrect assembly, always double-check that your circuit configuration exactly matches the drawing for it.
2. Be sure that parts with positive/negative markings are positioned as per the drawing.
3. Be sure that all connections are securely inserted into the spring connector
4. Try replacing the batteries.

How to Play:

- 1) Turn the on/off switch to the ON position **(Figure 4)**.
- 2) Gently place the ear bud into your ear.
- 3) Move your Listener so the sound dish is pointing towards the sound source.
- 4) Volume can be adjusted using the Variable Resistance knob **(Figure 2)**.

TIP: When are done make sure you turn off the SpyX Listener.

ATTENTION ADULTS-TO REPLACE BATTERIES (Figure 5) SpyX DIY Listener requires 3AAA (LR03) batteries - Not included.

1. Locate the battery compartment on the back of the Battery Box Block. Use a small Phillips head screwdriver to loosen the screw and remove the BATTERY COVER.
2. Remove all old batteries.
3. Place new batteries in compartment as shown
4. Replace the battery cover and tighten screw.

BATTERY SAFETY INFORMATION:

- Only adults should install and replace batteries. Do not recharge non-rechargeable batteries.
- Remove dead or exhausted batteries.
- Insert batteries correctly. Match positive and negative signs.
- The supply terminals are not to be short circuited.
- Do not use rechargeable batteries.
- Do not mix alkaline, standard (carbon-zinc), or rechargeable (nickel-cadmium) batteries.
- Do not mix old and new batteries.
- Only the batteries of the same or equivalent type recommended to be used.
- Do not dispose of batteries in a fire; they may explode. Dispose of batteries safely.

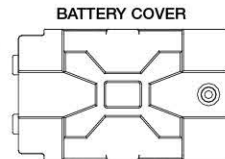
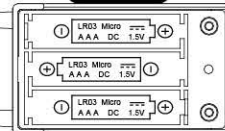


Figure 5



FCC Statement: This device complies with part 15 of the FCC Rules. Operation is subject to the following two conditions: (1) This device may not cause harmful interference, and (2) this device must accept any interference received, including interference that may cause undesired operation. Any Changes or modifications not expressly approved by the party responsible for compliance could void the user's authority to operate the equipment. NOTE: This equipment has been tested and found to comply with the limits for a Class B digital device, pursuant to part 15 of the FCC Rules. These limits are designed to provide reasonable protection against harmful interference in a residential installation. This equipment generates, uses and can radiate radio frequency energy and, if not installed and used in accordance with the instructions, may cause harmful interference to radio communications. However, there is no guarantee that interference will not occur in a particular installation. If this equipment does cause harmful interference to radio or television reception, which can be determined by turning the equipment off and on, the user is encouraged to try to correct the interference by one or more of the following measures: • Reorient or relocate the receiving antenna. • Increase the separation between the equipment and receiver. • Connect the equipment into an outlet on a circuit different from that to which the receiver is connected. • Consult the dealer or an experienced radio/TV technician for help.